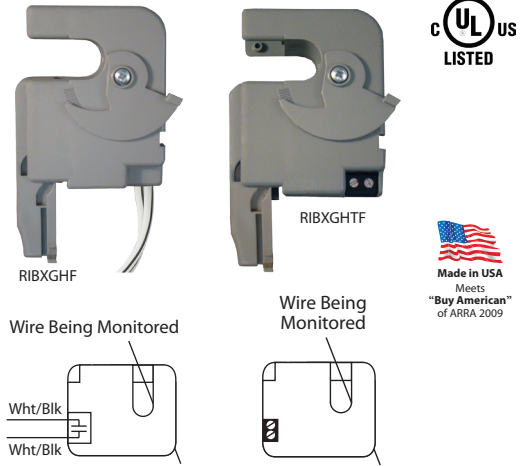
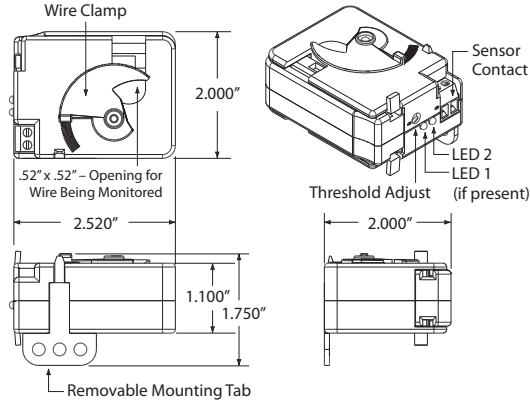


AC CURRENT SWITCHES

RIBXGH Series

Enclosed Self-Powered Split Core 120 Vac Switching AC Current Sensors



SPECIFICATIONS

FUNCTIONAL DEVICES CERTIFIED FOR USE WITH ECMs

Operating Temperature: -30 to 140° F
Humidity Range: 5 to 95% (noncondensing)
Temperature Derating: 1 Amp up to 50° C, 0.5 Amp up to 60° C
Max Sense Voltage: 600 Vac
Sensor Contact Status: Current below threshold: Open
 Current above threshold: Closed

Approvals: UL Listed, UL916, C-UL
Mounting/Installation: Removable mounting tab provided. The wire clamp locks against the wire being monitored, securing the unit in place.

Notes:

- Use Sensor Contact to switch 120 Vac loads only.
- For testing purposes, Sensor Contact will measure approximately 250 Ω when closed and > 10 MΩ when open.
- The Sensor Contact is a Solid State Contact.

RIBXGH SERIES SELECTION GUIDE

Model#	Sensing Range	Type	Threshold	Sensor Contact Type	Switching Voltage Range	Maximum Switching Current	Sensor Contact Termination	LED 1	LED 2
RIBXGHF	.50-150 Amp	Split Core	Fixed, .50 Amp	Solid State Switch SPST	120 Vac Only	1 Amp Max	Wht/Blk 16" 18 AWG Wire Leads		
RIBXGHTF	.50-150 Amp	Split Core	Fixed, .50 Amp	Solid State Switch SPST	120 Vac Only	1 Amp Max	Terminal Strip, Accepts #14-22 AWG Wire		
RIBXGHA	.75-150 Amp	Split Core	Adjustable	Solid State Switch SPST	120 Vac Only	1 Amp Max	Wht/Blk 16" 18 AWG Wire Leads	Over Trip Point	Under Trip Point
RIBXGHTA	.75-150 Amp	Split Core	Adjustable	Solid State Switch SPST	120 Vac Only	1 Amp Max	Terminal Strip, Accepts #14-22 AWG Wire	Over Trip Point	Under Trip Point

CURRENT SENSORS